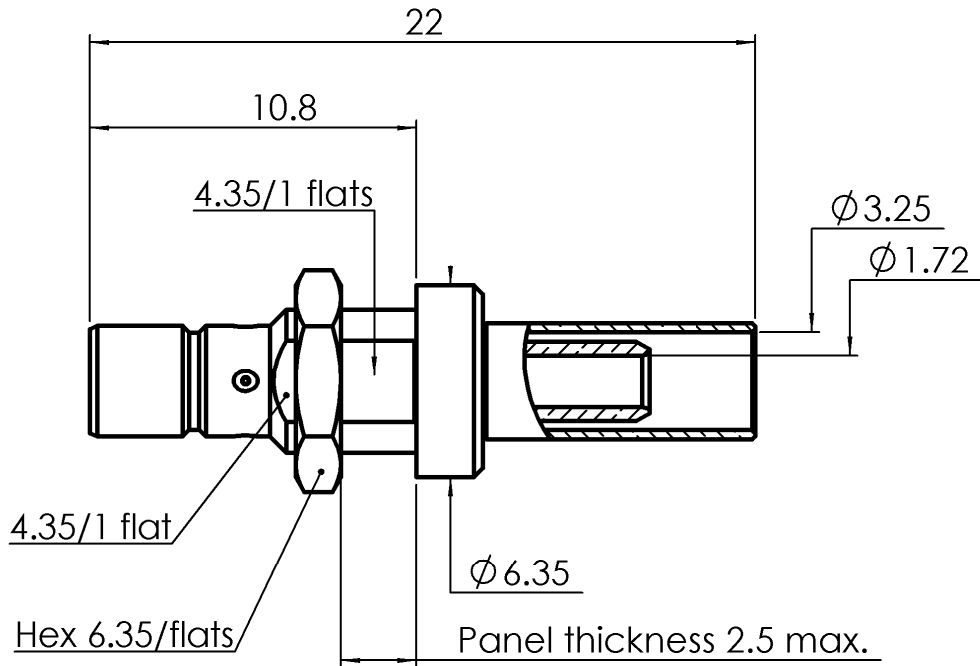


NON MAGNETIC STRAIGHT BULKEAD JACK FRONT MOUNT

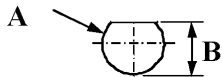
R114.313.197

CRIMP TYPE - CABLE 2.6/50+75 S

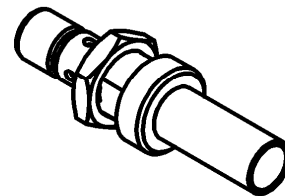
Series : **SMB**



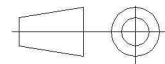
PANEL CUT OUT



mm		
	Maxi	mini
A	5	4.9
B	4.58	4.46



All dimensions are in mm.



COMPONENTS	MATERIALS	PLATING (µm)
BODY	NON MAGNETIC BRONZE	BBR 2
CENTER CONTACT	NON MAGNETIC BRONZE	GOLD 1.3 OVER COPPER 2.5
OUTER CONTACT	-	-
INSULATOR	PTFE	-
GASKET	-	-
OTHERS PARTS	NON MAGNETIC BRONZE	BBR 2
-	-	-
-	-	-

Issue : 1012 A

In the effort to improve our products, we reserve the right to make changes judged to be necessary.



NON MAGNETIC STRAIGHT BULKEAD JACK FRONT MOUNT

R114.313.197

CRIMP TYPE - CABLE 2.6/50+75 S

Series : **SMB**

PACKAGING

Standard	Unit	Other
100	'W' option	Contact us

SPECIFICATION

ELECTRICAL CHARACTERISTICS

Impedance	50	Ω
Frequency	0-4	GHz
VSWR	1.05 + 0,0800	x F(GHz) Maxi
Insertion loss	0.25	\sqrt{F} (GHz) dB Maxi
RF leakage	- (57)	- F(GHz)) dB Maxi
Voltage rating	500	Veff Maxi
Dielectric withstanding voltage	1000	Veff mini
Insulation resistance	1000	M Ω mini

CABLE ASSEMBLY

Stripping	a	b	c	d	e	f
mm	2,50	5,50	11,0	0,00	8,50	0,00

Assembly instruction : **Crimp 01**

Recommended cable(s)
NON MAGNETIC CABLE
RG 179 AMAG
RG 316 AMAG

Characteristics indicated on this data sheet are those that can be achieved with the highest performance cable. Intrinsic limitations of the cable may diminish the performance of the assembly

Cable retention

- pull off **110** N mini
- torque **NA** N.cm

MECHANICAL CHARACTERISTICS

Center contact retention		
Axial force – Mating end	10	N mini
Axial force – Opposite end	10	N mini
Torque	NA	N.cm mini

TOOLING

Recommended torque		
Mating	NA	N.cm
Panel nut	60	N.cm
Clamp nut	NA	N.cm
A/F clamp nut	0,0000	mm
Mating life	500	Cycles mini
Weight	1,9200	g

Part Number	Description	Hexagon
.	.	.
R282.983.000	POSITONER FOR CRIMPING TOOL	
R282.293.000	CRIMPING TOOL M22520/5-01	
R282.281.000	CRIMPING TOOL	2x4(pos.3->50 pos 1->75)
R282.235.003	CRIMPING DIES M22520/5-03	3.25
R282.211.000	CRIMPING TOOL	3.25

ENVIRONMENTAL

Operating temperature	-65/+165	$^{\circ}$ C
Hermetic seal	NA	Atm.cm3/s
Panel leakage	NA	

OTHER CHARACTERISTICS

Distorsion of the magnetic field
<0.5 ppm at 10mm at Bo=1.5 Tesla
Non magnetic component

Issue : **1012 A**

In the effort to improve our products, we reserve the right to make changes judged to be necessary.

